

## Rebris E

### Single lever bath mixer for exposed installation

Surfaces: **Matt Black** Article Number: **72450670**



#### Description

##### product features

- 2 functions
- projection: 182 mm
- centre distance:  $150 \pm 12$  mm
- spray type mixer: normal spray
- maximum flow rate at 3 bar: 20,4 l/min
- flow rate for bath spout at 3 bar: 20,4 l/min
- flow rate of hand shower at 3 bar: 15,5 l/min
- ceramic cartridge
- temperature limitation adjustable
- diverter with automatic resetting
- protected against backflow, according to DIN EN 1717
- with silencer
- suitable for continuous flow water heaters
- connection dimension: DN15
- connection type: s-shaped connections
- min. operating pressure: 1 bar
- max. operating pressure: 10 bar

#### Technology



#### Design awards



reddot winner 2022



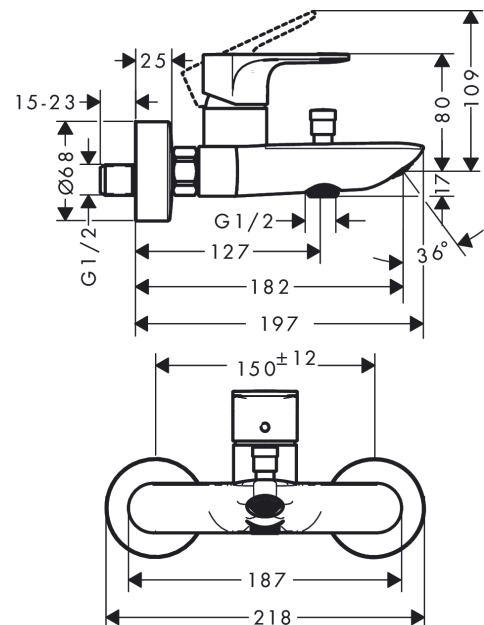
#### Certificates



#### Product image



#### Scale drawing



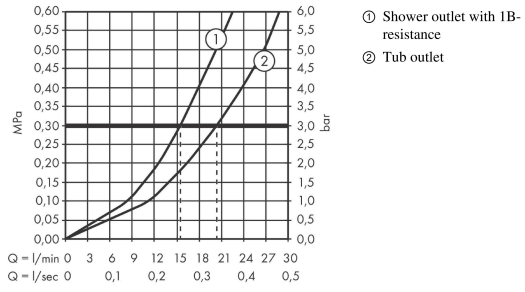
**Rebris E**

**Single lever bath mixer for exposed installation**

Surfaces: **Matt Black** Article Number: **72450670**



**Flowchart**



**Rebris E**

**Single lever bath mixer for exposed installation**

Surfaces: **Matt Black** Article Number: **72450670**



**Exploded Drawing**

Year of production: >06/22

