

## Vivenis

Single lever bath mixer for concealed installation with integrated security combination according to EN1717 for iBox universal

Surfaces: **Chrome** Article Number: **75416000**



### Description

#### product features

- 2 functions
- maximum flow rate at 3 bar: 25 l/min
- ceramic cartridge
- temperature limitation adjustable
- diverter with automatic resetting
- non-return valve
- with silencer
- with integrated safety combination EN 1717
- connection type: basic set
- min. operating pressure: 1 bar
- max. operating pressure: 10 bar

### Design awards



reddot winner 2021



GERMAN DESIGN AWARD WINNER 2022

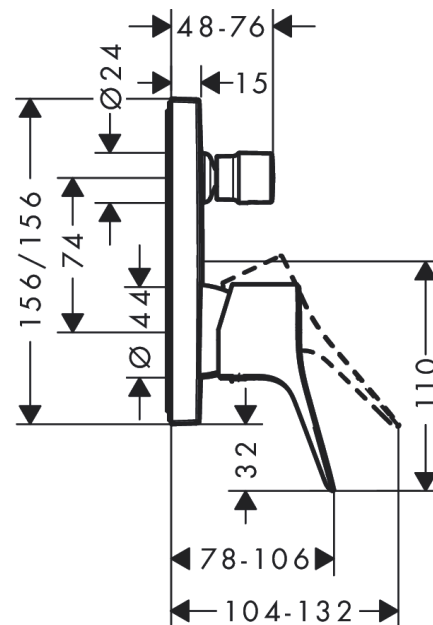
### Certificates



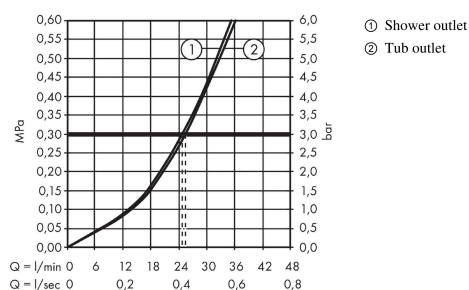
### Product image



### Scale drawing



### Flowchart



**Vivenis**

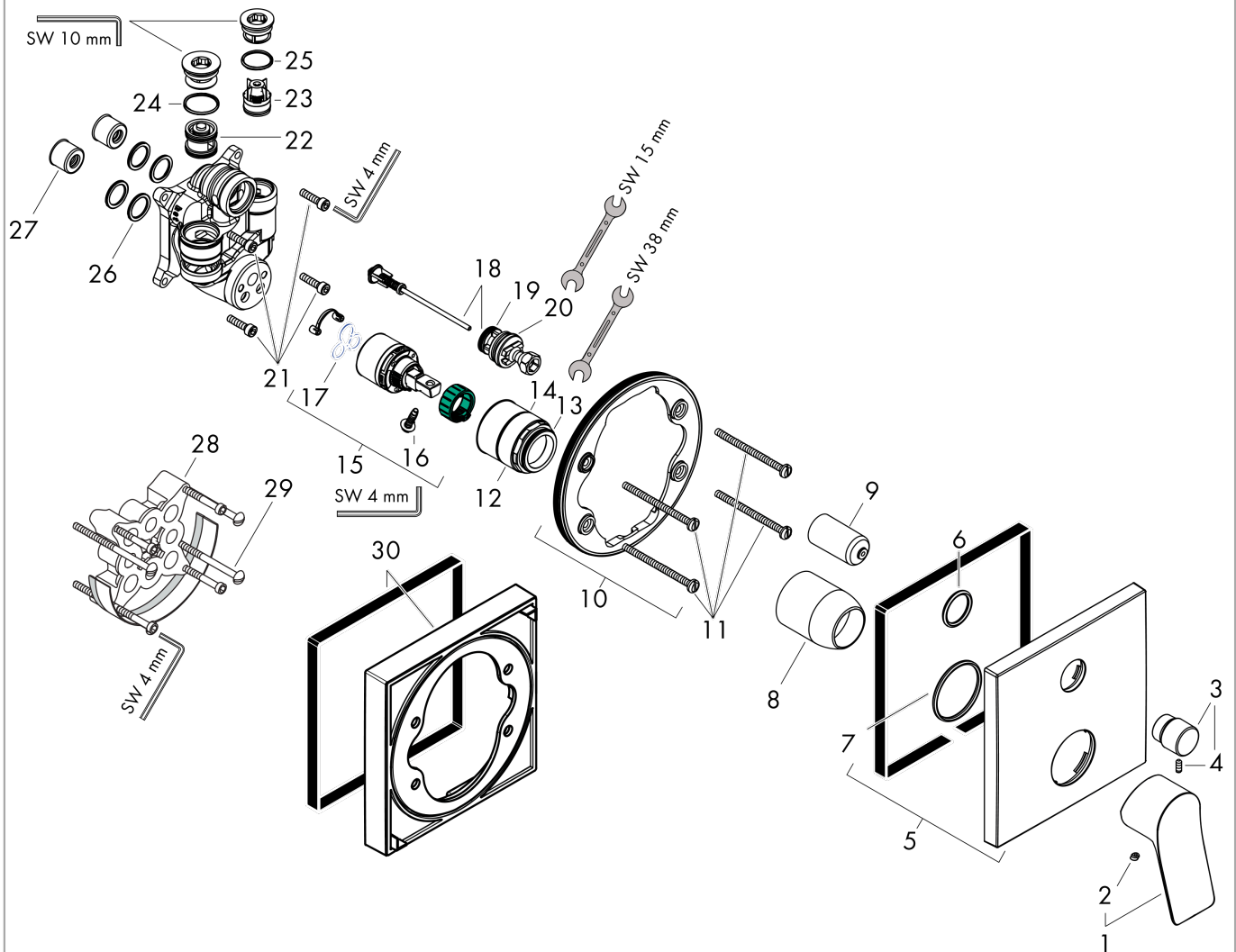
**Single lever bath mixer for concealed installation with integrated security combination according to EN1717 for iBox universal**

Surfaces: **Chrome** Article Number: **75416000**



**Exploded Drawing**

Year of production: >06/21



## Vivenis

Single lever bath mixer for concealed installation with integrated security combination according to EN1717 for iBox universal

Surfaces: **Chrome** Article Number: **75416000**



### Spare part list

Year of production: >06/21

Pos.	Description	Article Number	Price	PU
1	handle	94297000	€ 44,63	1
2	screw cover	96338000	€ 3,21	1
3	diverter knob	98795000	€ 44,63	1
4	hollow set screw M4x10	97667000	€ 3,21	1
5	escutcheon 155 / 155 mm	94302000	€ 70,57	1
6	O-ring 23x3	98142000	€ 3,21	1
7	O-ring 43x3	98418000	€ 3,21	1
8	sleeve	98790000	€ 28,20	1
9	sleeve	98794000	€ 28,20	1
10	holder for escutcheon	98793000	€ 35,94	1
11	set of fixing screws	96454000	€ 8,45	1
12	nut	98796000	€ 35,94	1
13	O-ring 30x1,5	98433000	€ 3,21	1
14	O-ring 39x1,5	98400000	€ 3,21	1
15	cartridge, assy	92730000	€ 57,12	1
16	locking screw for handle	95140000	€ 5,24	1
17	seal	95008000	€ 8,45	1
18	selector assy	95014000	€ 57,12	1
19	O-ring 16x2,3	98207000	€ 3,21	1
20	O-ring 20x2,5	92602000	€ 5,24	1
21	set of screws	96525000	€ 8,45	1
22	vacuum breaker	96753000	€ 13,92	1
23	non return valve	96655000	€ 11,31	1
24	O-Ring 22x2	98185000	€ 3,21	1
25	O-ring 19x2	98426000	€ 3,21	1
26	O-ring 16x2	98133000	€ 3,21	1
27	noise reduction	94073000	€ 22,37	1
28	extension 25 mm	13595000	-	1
29	set of fixing screws	97747000	€ 3,21	1
30	extension 22 mm	13593000	€ 59,62	1
a	concealed item	01800180	-	1