

## Rebris S

Single lever bath mixer for concealed installation with integrated security combination according to EN1717 for iBox universal

Surfaces: **Matt Black** Article Number: **72467670**



### Description

#### product features

- 2 functions
- maximum flow rate at 3 bar: 25,6 l/min
- flow rate for bath spout at 3 bar: 25,6 l/min
- flow rate of hand shower at 3 bar: 24,8 l/min
- ceramic cartridge
- temperature limitation adjustable
- diverter with automatic resetting
- non-return valve
- with silencer
- with integrated safety combination EN 1717
- connection type: basic set
- min. operating pressure: 1 bar
- max. operating pressure: 10 bar

### Design awards



DESIGN  
AWARD  
2022



reddot winner 2022



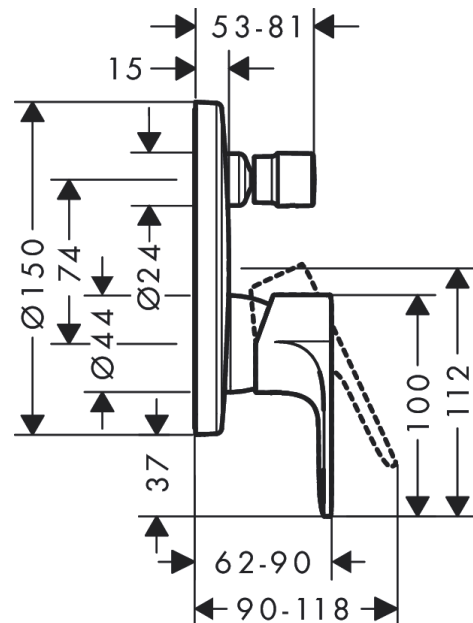
### Certificates



### Product image



### Scale drawing



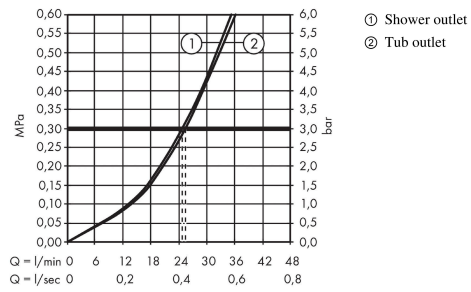
**Rebris S**

**Single lever bath mixer for concealed installation with integrated security combination according to EN1717 for iBox universal**

Surfaces: **Matt Black** Article Number: **72467670**



**Flowchart**



**Rebris S**

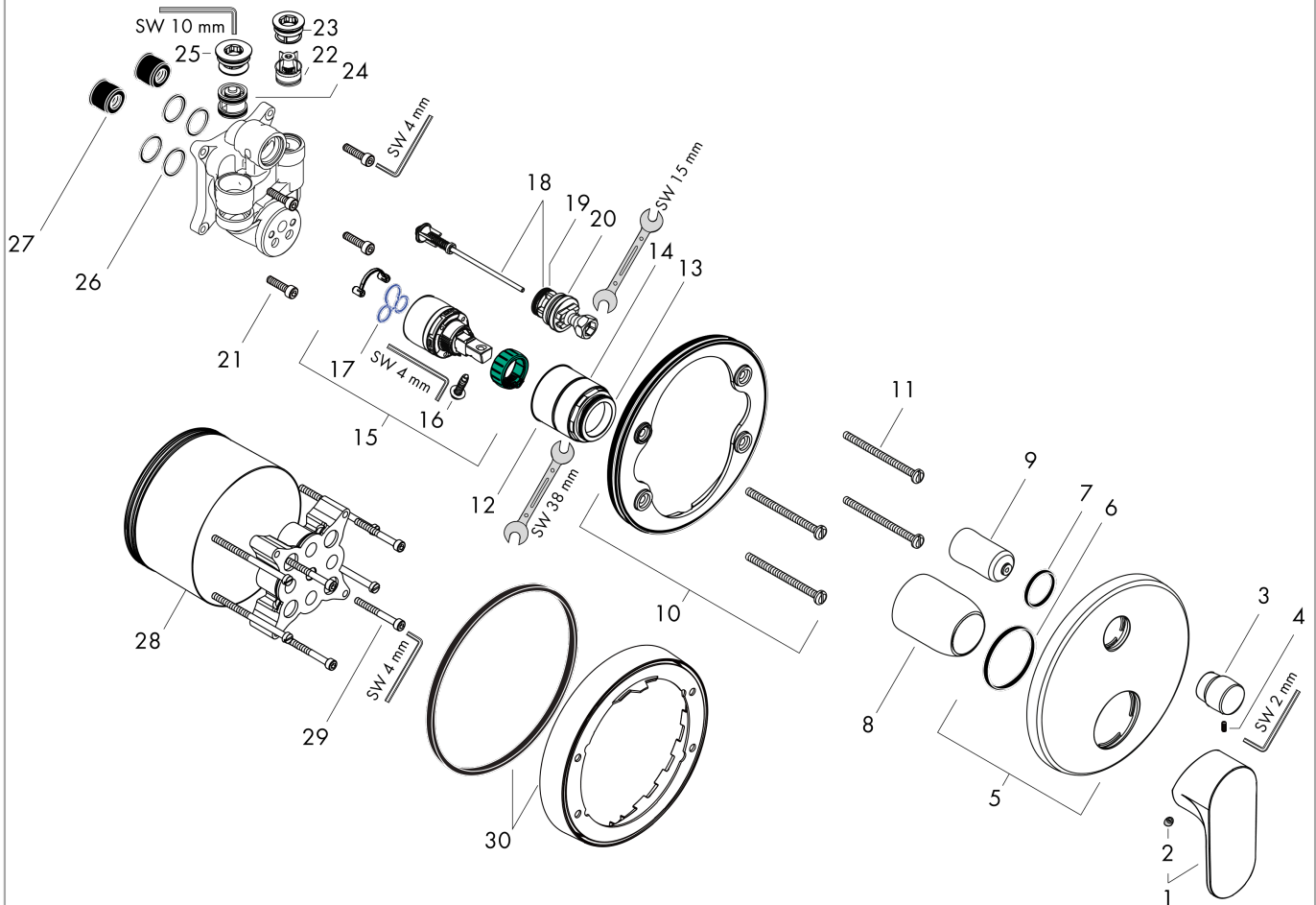
Single lever bath mixer for concealed installation with integrated security combination according to EN1717 for iBox universal

Surfaces: **Matt Black** Article Number: **72467670**



**Exploded Drawing**

Year of production: >06/22



## Rebris S

Single lever bath mixer for concealed installation with integrated security combination according to EN1717 for iBox universal

Surfaces: **Matt Black** Article Number: **72467670**



### Spare part list

Year of production: >06/22

Pos.	Description	Article Number	Price	PU
1	handle	94654670	€ 67,00	1
2	screw cover	96338610	€ 4,88	1
3	diverter knob	98795670	€ 67,00	1
4	hollow set screw M4x10	97667000	€ 3,21	1
5	escutcheon Ø 150 mm	98791670	€ 85,68	1
6	O-ring 43x3	98418000	€ 3,21	1
7	O-ring 23x3	98142000	€ 3,21	1
8	sleeve	98790670	€ 42,36	1
9	sleeve	98794670	€ 42,36	1
10	holder for escutcheon	98793000	€ 35,94	1
11	set of fixing screws	96454000	€ 8,45	1
12	nut	98796000	€ 35,94	1
13	O-ring 30x1,5	98433000	€ 3,21	1
14	O-ring 39x1,5	98400000	€ 3,21	1
15	cartridge, assy	92730000	€ 57,12	1
16	locking screw for handle	95140000	€ 5,24	1
17	seal	95008000	€ 8,45	1
18	selector assy	95014000	€ 57,12	1
19	O-ring 20x2,5	92602000	€ 5,24	1
20	O-ring 16x2,3	98207000	€ 3,21	1
21	set of screws	96525000	€ 8,45	1
22	non return valve	96655000	€ 11,31	1
23	O-ring 19x2	98426000	€ 3,21	1
24	vacuum breaker	96753000	€ 13,92	1
25	O-Ring 22x2	98185000	€ 3,21	1
26	O-ring 16x2	98133000	€ 3,21	1
27	noise reduction	94073000	€ 22,37	1
28	extension 25 mm	13595000	-	1
29	set of fixing screws	97747000	€ 3,21	1
30	set of screws	93244000	€ 8,45	1
a	concealed item	01800180	-	1
b	extension 10 mm for iBox universal with shut-off unit	92332000	€ 124,95	1
c	extension 22 mm (Ø 150 mm)	13597670	-	1