

Rebris E

Single lever basin mixer for concealed installation wall-mounted with spout 20 cm

Surfaces: **Chrome** Article Number: **72568000**



Description

product features

- consists of: single lever basin mixer for concealed installation wall-mounted, waste set
- projection: 200 mm
- spray type: normal spray
- maximum flow rate at 3 bar: 5 l/min
- ceramic cartridge
- temperature limitation adjustable
- suitable for continuous flow water heaters
- non-closing waste set
- material waste set: metal
- connection type: basic set
- connection dimension: DN15
- handle can be positioned on the right or left, depends on the basic set installation

Technology



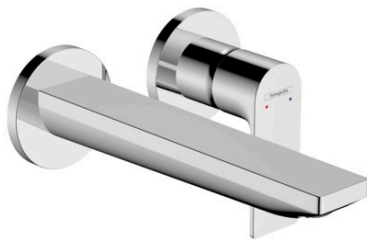
Design awards



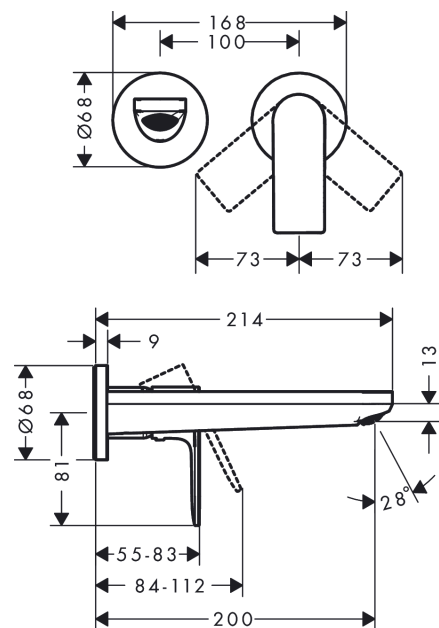
Certificates



Product image



Scale drawing



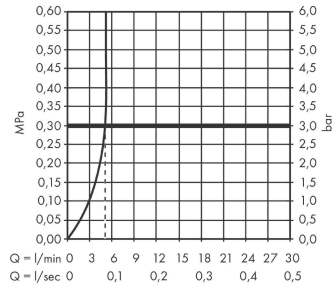
Rebris E

Single lever basin mixer for concealed installation wall-mounted with spout 20 cm

Surfaces: **Chrome** Article Number: **72568000**



Flowchart



Rebris E

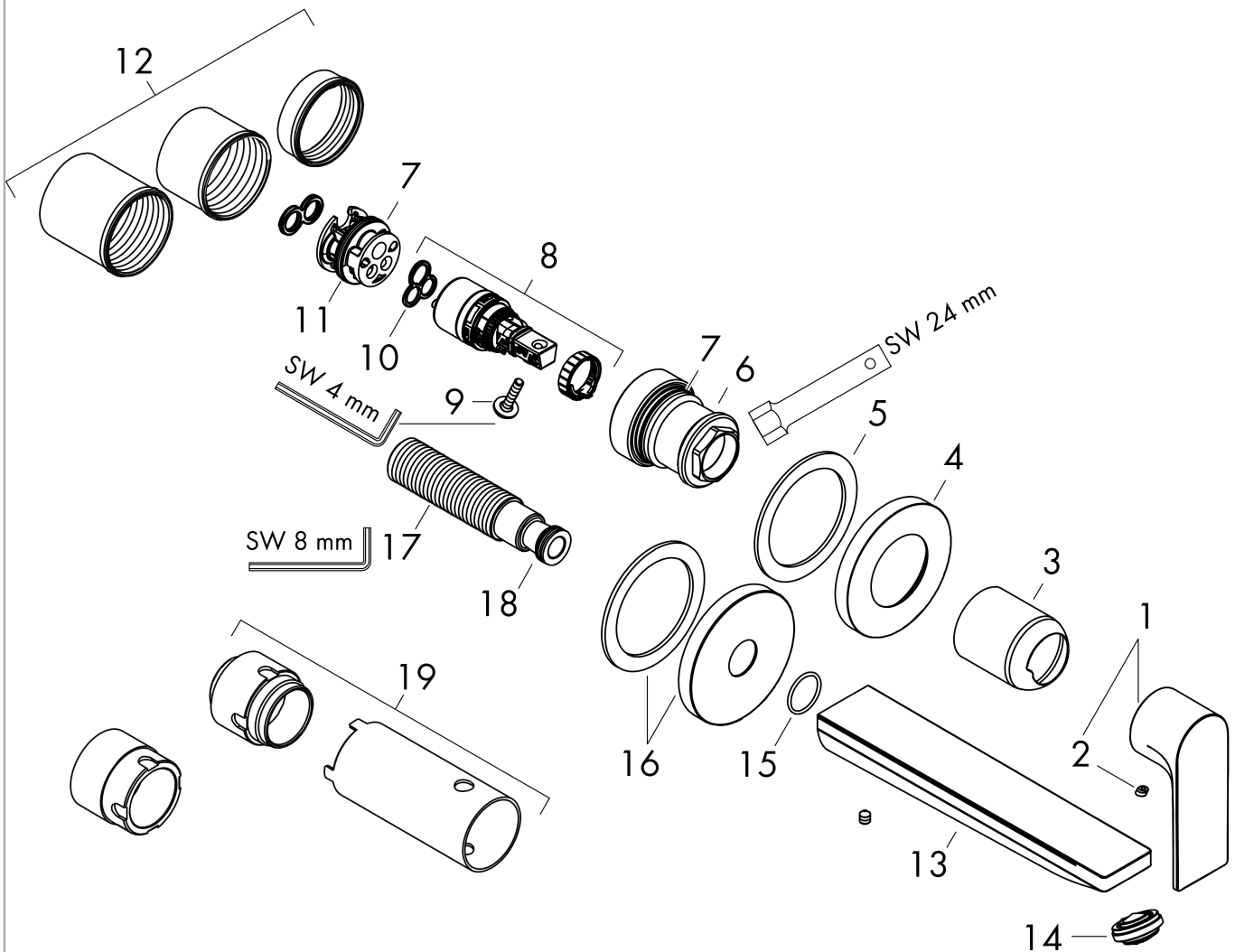
Single lever basin mixer for concealed installation wall-mounted with spout 20 cm

Surfaces: **Chrome** Article Number: **72568000**



Exploded Drawing

Year of production: >06/22



Rebris E**Single lever basin mixer for concealed installation wall-mounted with spout 20 cm**Surfaces: **Chrome** Article Number: **72568000****Spare part list**

Year of production: >06/22

Pos.	Description	Article Number	Price	PU
1	handle	94650000	€ 44,63	1
2	screw cover	96338000	€ 3,21	1
3	sleeve	93053000	€ 35,94	1
4	escutcheon Ø 68 mm	93052000	€ 28,20	1
5	washer	97600000	€ 11,31	1
6	nut	93141000	€ 35,94	1
7	O-ring 26x2	98147000	€ 3,21	1
8	cartridge, assy	95973001	€ 70,57	1
9	locking screw for handle	95140000	€ 5,24	1
10	seal	98865000	€ 28,20	1
11	adapter for cartridge	95634000	€ 11,31	1
12	fixing set	97971000	€ 35,94	1
13	spout 220 mm	94651000	€ 100,44	1
14	aerator M24x1 (5 l/min)	94364000	€ 8,45	1
15	O-ring 18x1,5	98231000	€ 3,21	1
16	escutcheon for spout	93987000	€ 70,57	1
17	connecting thread G½	95626000	€ 44,63	1
18	O-ring 13x2	98128000	€ 3,21	1
19	extension set 25 mm for 13622180	31971000	-	1
a	waste	50001000	-	1