

Vivenis

Single lever bath mixer for concealed installation with integrated security combination according to EN1717 for iBox universal

Surfaces: **Matt Black** Article Number: **75416670**



Description

product features

- 2 functions
- maximum flow rate at 3 bar: 25 l/min
- ceramic cartridge
- temperature limitation adjustable
- diverter with automatic resetting
- non-return valve
- with silencer
- with integrated safety combination EN 1717
- connection type: basic set
- min. operating pressure: 1 bar
- max. operating pressure: 10 bar

Design awards



reddot winner 2021



GERMAN DESIGN AWARD WINNER 2022

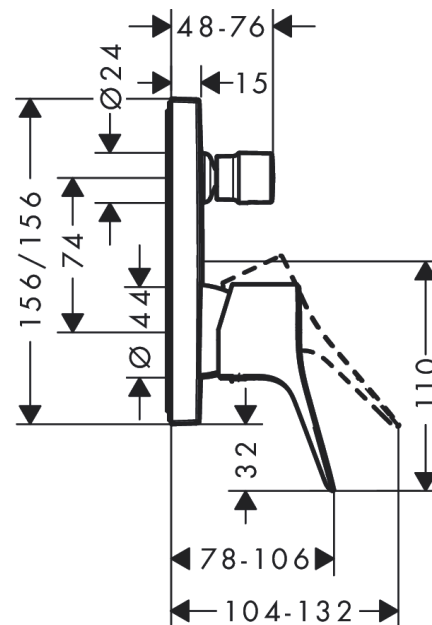
Certificates



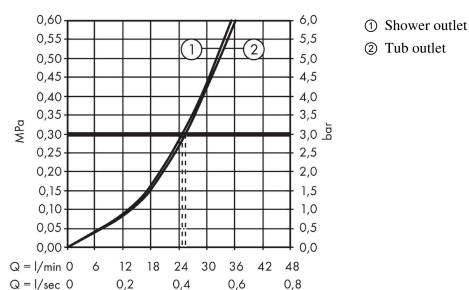
Product image



Scale drawing



Flowchart



Vivenis

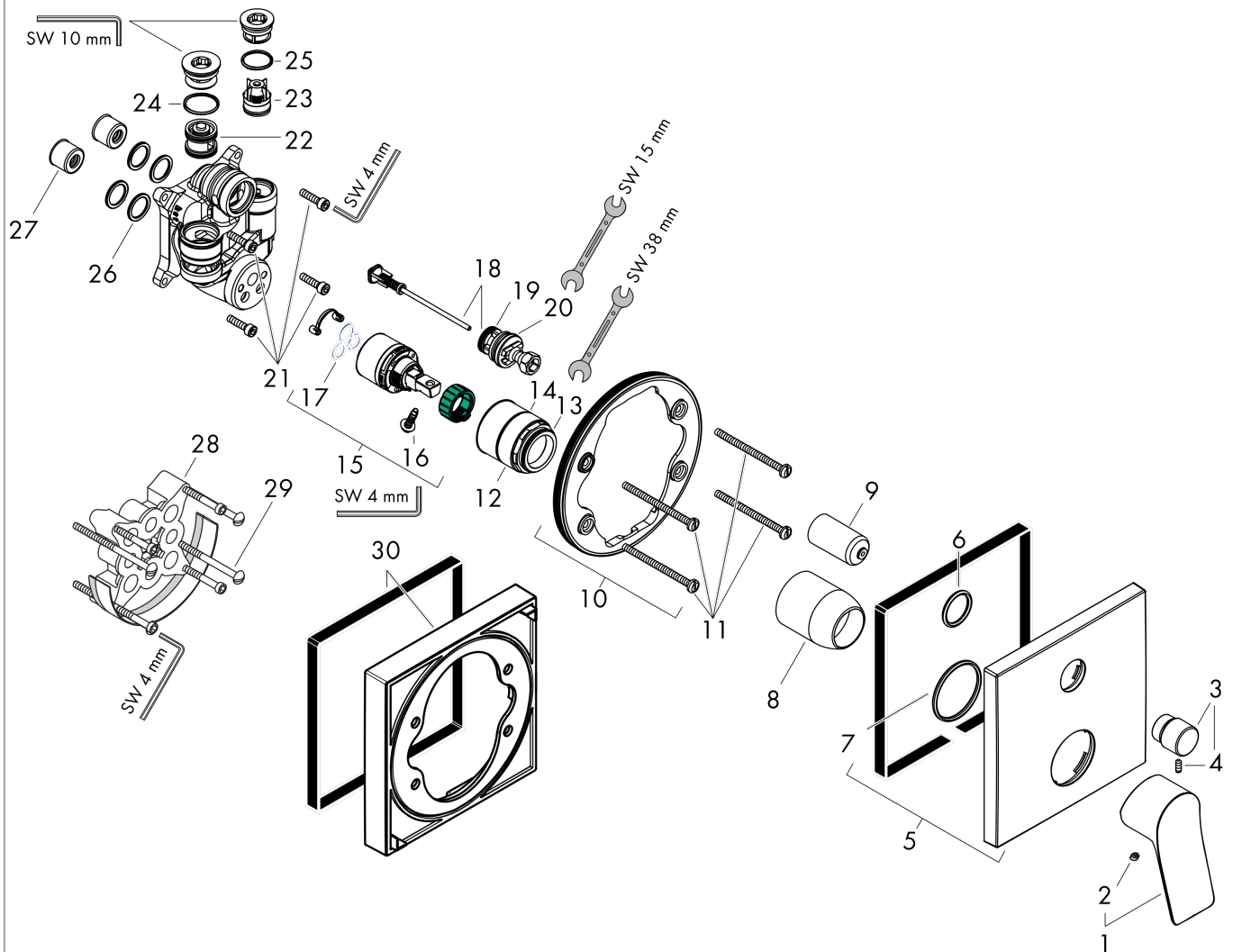
Single lever bath mixer for concealed installation with integrated security combination according to EN1717 for iBox universal

Surfaces: **Matt Black** Article Number: **75416670**



Exploded Drawing

Year of production: >06/21



Vivenis

Single lever bath mixer for concealed installation with integrated security combination according to EN1717 for iBox universal

Surfaces: **Matt Black** Article Number: **75416670**



Spare part list

Year of production: >06/21

Pos.	Description	Article Number	Price	PU
1	handle	94297670	€ 67,00	1
2	screw cover	96338000	€ 3,21	1
3	diverter knob	98795670	€ 67,00	1
4	hollow set screw M4x10	97667000	€ 3,21	1
5	escutcheon 155 / 155 mm	94302670	€ 105,91	1
6	O-ring 23x3	98142000	€ 3,21	1
7	O-ring 43x3	98418000	€ 3,21	1
8	sleeve	98790670	€ 42,36	1
9	sleeve	98794670	€ 42,36	1
10	holder for escutcheon	98793000	€ 35,94	1
11	set of fixing screws	96454000	€ 8,45	1
12	nut	98796000	€ 35,94	1
13	O-ring 30x1,5	98433000	€ 3,21	1
14	O-ring 39x1,5	98400000	€ 3,21	1
15	cartridge, assy	92730000	€ 57,12	1
16	locking screw for handle	95140000	€ 5,24	1
17	seal	95008000	€ 8,45	1
18	selector assy	95014000	€ 57,12	1
19	O-ring 16x2,3	98207000	€ 3,21	1
20	O-ring 20x2,5	92602000	€ 5,24	1
21	set of screws	96525000	€ 8,45	1
22	vacuum breaker	96753000	€ 13,92	1
23	non return valve	96655000	€ 11,31	1
24	O-Ring 22x2	98185000	€ 3,21	1
25	O-ring 19x2	98426000	€ 3,21	1
26	O-ring 16x2	98133000	€ 3,21	1
27	noise reduction	94073000	€ 22,37	1
28	extension 25 mm	13595000	-	1
29	set of fixing screws	97747000	€ 3,21	1
30	extension 22 mm	13593670	€ 83,42	1