

## Rebris E

Single lever basin mixer 110 CoolStart EcoSmart+ with pop-up waste set

Surfaces: **Matt Black** Article Number: **72589670**



### Description

#### product features

- consists of: single lever basin mixer, waste set
- ComfortZone 110
- projection: 133 mm
- spout height: 109 mm
- spray type: normal spray
- maximum flow rate at 3 bar: 4 l/min
- ceramic cartridge
- temperature limitation adjustable
- suitable for continuous flow water heaters
- pop-up waste set G 1¼
- material waste set: synthetic
- connection type: G ¾ connections
- connection dimension: DN15
- cold water in middle position

### Technology



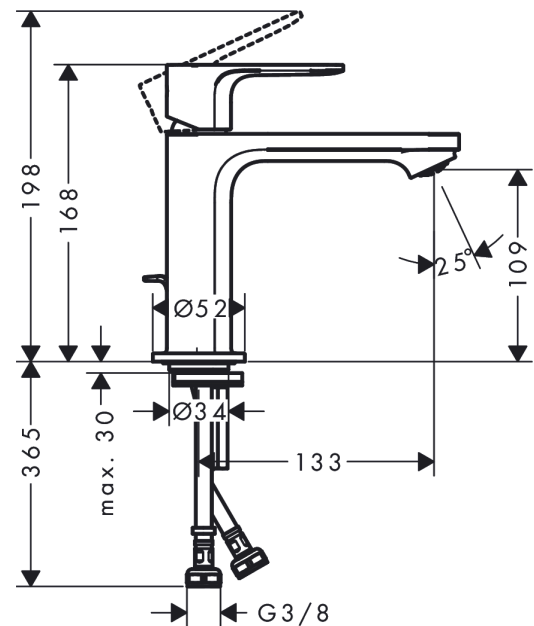
### Design awards



### Product image



### Scale drawing



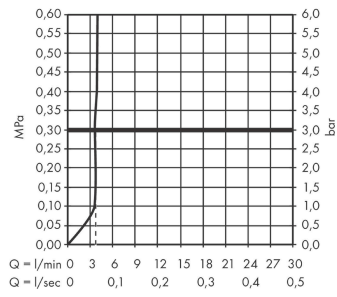
**Rebris E**

**Single lever basin mixer 110 CoolStart EcoSmart+ with pop-up waste set**

Surfaces: **Matt Black** Article Number: **72589670**



**Flowchart**



**Rebris E**

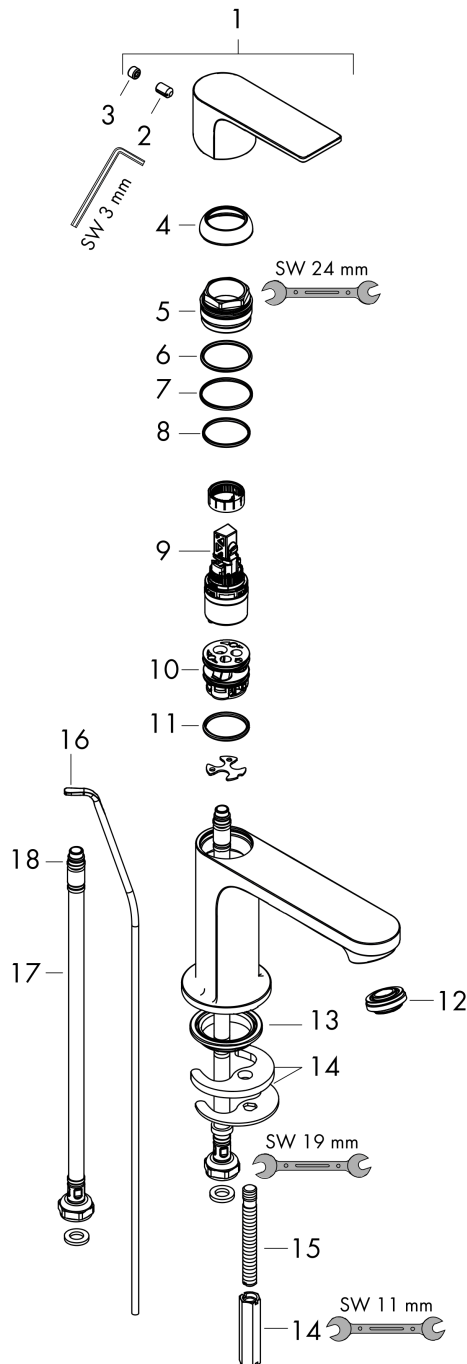
**Single lever basin mixer 110 CoolStart EcoSmart+ with pop-up waste set**

Surfaces: **Matt Black** Article Number: **72589670**



**Exploded Drawing**

Year of production: >06/22



**Rebris E****Single lever basin mixer 110 CoolStart EcoSmart+ with pop-up waste set**Surfaces: **Matt Black** Article Number: **72589670****Spare part list**

Year of production: &gt;06/22

Pos.	Description	Article Number	Price	PU
1	handle	94645670	€ 67,00	1
2	screw cover	95704610	€ 4,88	1
3	hollow set screw M6x10 DIN 916	96029000	€ 3,21	1
4	flange	98863670	€ 67,00	1
5	nut	98864000	€ 35,94	1
6	O-ring 24x2	98388000	€ 3,21	1
7	O-ring 27x1,5	92527000	€ 11,31	1
8	O-ring 25x1,5	98146000	€ 3,21	1
9	cartridge, assy	95973001	€ 70,57	1
10	adapter for cartridge	95975000	€ 8,45	1
11	O-ring 23x2	98398000	€ 3,21	1
12	aerator M24x1 (4,5 l/min)	94364001	-	1
13	seal Ø 42	98722000	€ 5,24	1
14	fixing set	96016000	€ 28,20	1
15	screw M8 x 68	97736000	€ 5,24	1
16	connection hose 450 mm M8x0,75 G3/8	97206000	€ 28,20	1
17	O-ring 6,6x1,6	93019000	€ 3,21	1
18	pull rod	96657670	€ 17,02	1
a	pop up waste	94139670	€ 150,65	1