

Rebris E

Bath spout

Surfaces: **Matt Black**

Article Number: **72431670**



Description

product features

- connection type: G 1/2
- with escutcheon
- projection 200 mm
- wall-mounted
- maximum flow rate at 3 bar: 22 l/min
- spray type: normal spray

Technology



Design awards



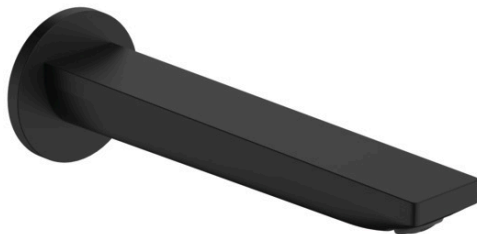
reddot winner 2022



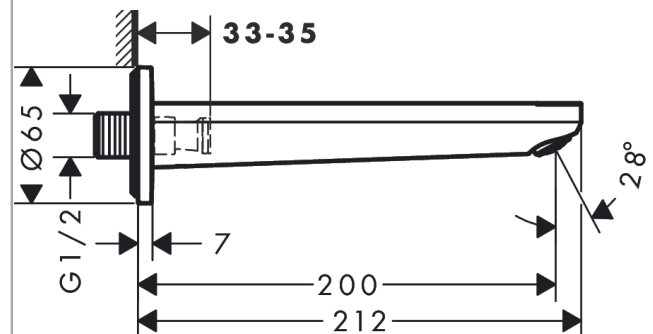
Certificates



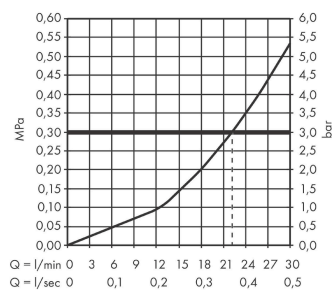
Product image



Scale drawing



Flowchart



Rebris E

Bath spout

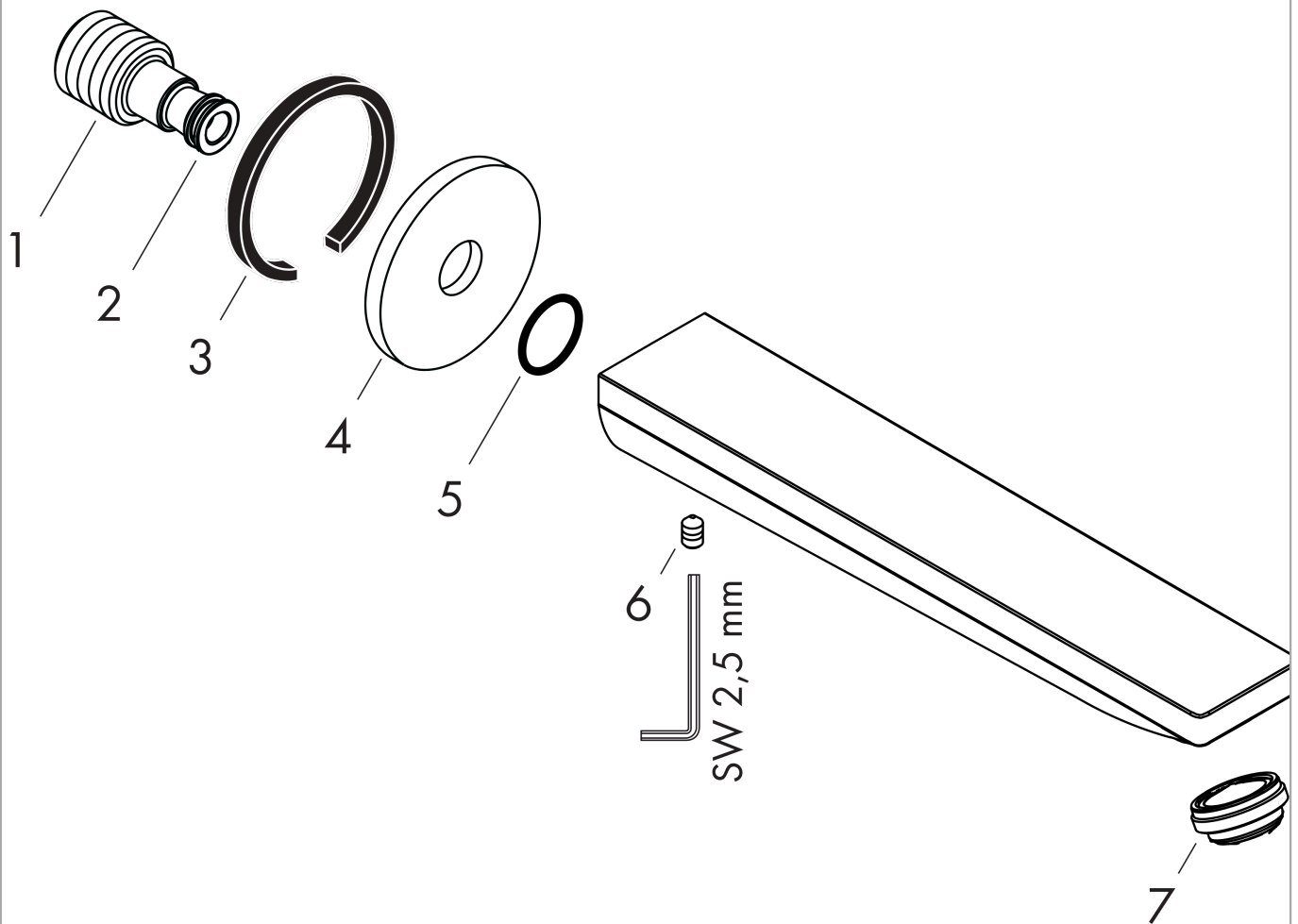
Surfaces: **Matt Black**

Article Number: **72431670**



Exploded Drawing

Year of production: >06/22



Rebris E**Bath spout**Surfaces: **Matt Black**Article Number: **72431670****Spare part list**

Year of production: >06/22

Pos.	Description	Article Number	Price	PU
1	connecting thread G $\frac{3}{4}$	92504000	€ 57,12	1
2	O-ring 13x2	98128000	€ 3,21	1
3	escutcheon Ø 65 mm	92754670	€ 53,91	1
4	seal	97530000	€ 5,24	1
5	O-ring 18x1,5	98231000	€ 3,21	1
6	hollow set screw M5x6	97768000	€ 3,21	1
7	aerator M24x1 (30 l/min)	94656000	€ 5,24	1
a	connecting thread G $\frac{1}{2}$	95393000	€ 35,94	1