

## Rebris S

Single lever shower mixer for exposed installation with 2 flow rates

Surfaces: **Matt Black** Article Number: **72643670**



### Description

#### product features

- 1 function
- centre distance: 150 ± 12 mm
- maximum flow rate at 3 bar: 18,3 l/min
- flow rate of hand shower at 3 bar: 18,3 l/min
- ceramic cartridge
- temperature limitation adjustable
- non-return valve
- with silencer
- hose connection DN15
- connection dimension: DN15
- connection type: s-shaped connections
- min. operating pressure: 1 bar
- max. operating pressure: 10 bar

### Design awards



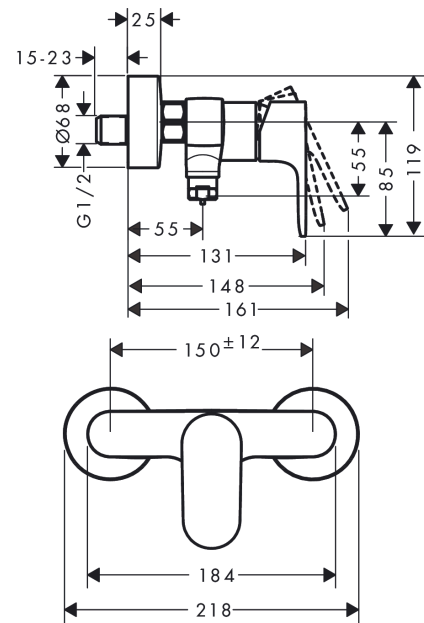
reddot winner 2022



### Product image



### Scale drawing



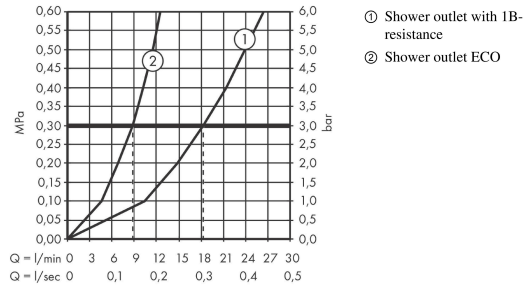
**Rebris S**

**Single lever shower mixer for exposed installation with 2 flow rates**

Surfaces: **Matt Black** Article Number: **72643670**



**Flowchart**



**Rebris S**

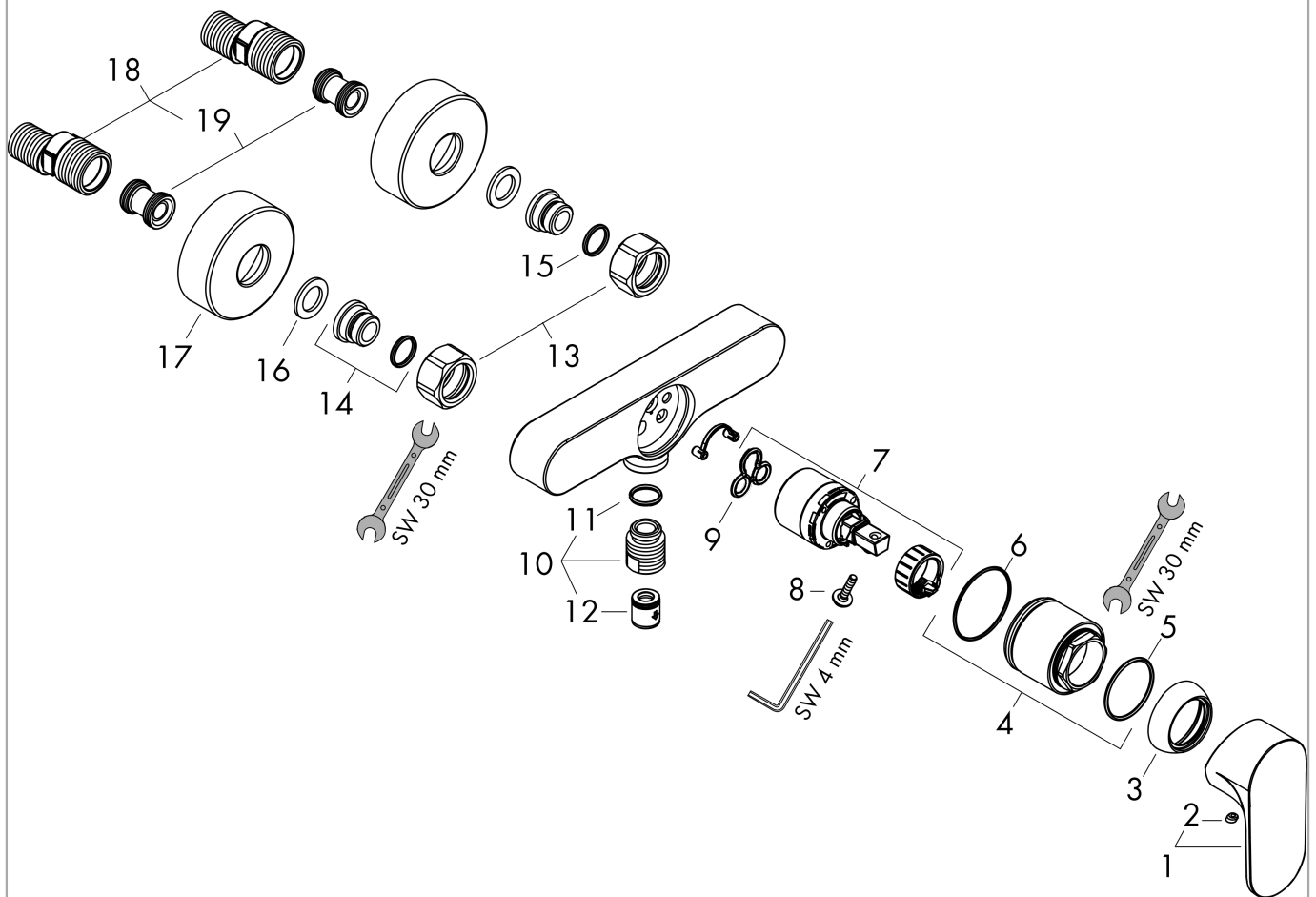
**Single lever shower mixer for exposed installation with 2 flow rates**

Surfaces: **Matt Black** Article Number: **72643670**



**Exploded Drawing**

Year of production: >06/22



## Rebris S

Single lever shower mixer for exposed installation with 2 flow rates

Surfaces: **Matt Black** Article Number: **72643670**



### Spare part list

Year of production: >06/22

Pos.	Description	Article Number	Price	PU
1	handle	94654000	€ 44,63	1
2	screw cover	96338000	€ 3,21	1
3	flange	97406000	€ 18,33	1
4	nut	97977000	€ 35,94	1
5	O-Ring 32x2	98193000	€ 3,21	1
6	O-ring 33x1,5	98164000	€ 3,21	1
8	locking screw for handle	95140000	€ 5,24	1
9	seal	95008000	€ 8,45	1
10	Hose Connection	96044000	€ 22,37	1
11	O-ring 14x2	98129000	€ 3,21	1
12	set of non return valves DW 15	94074000	€ 13,92	1
13	set of nuts	96157000	€ 28,20	1
14	connecting thread	97220000	€ 13,92	1
15	O-ring 15x2	98163000	€ 3,21	1
16	filter packing	96922000	€ 8,45	1
17	escutcheon Ø 68 mm	96467000	€ 18,33	1
18	set of S-unions (±12 mm)	94140000	€ 44,63	1
19	noise reduction	96429000	€ 5,24	1